

X axis global reference system

Z axis global reference system

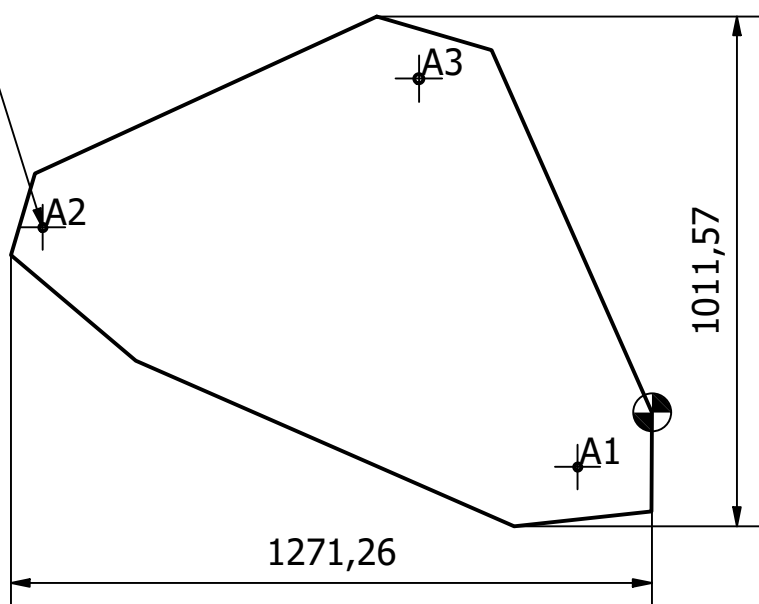
The main three points of interfaces are located at:

X = -1425 mm Y = 2311 mm Z = -3853,5 mm

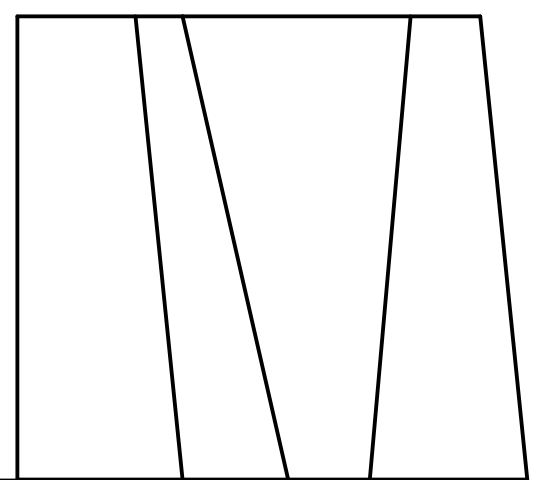
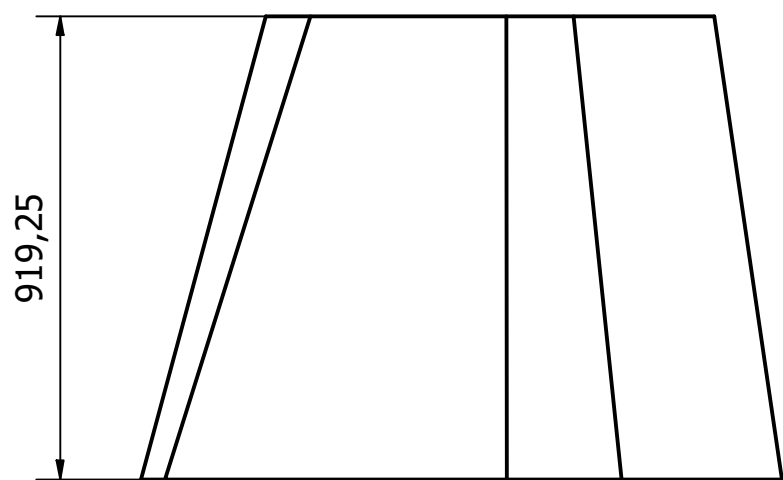
X = -1683 mm Y = 1546 mm Z = -3853,5 mm

X = -950 mm Y = 1250 mm Z = -3853,5 mm

those coordinates are referring to the Global Morfeo reference system

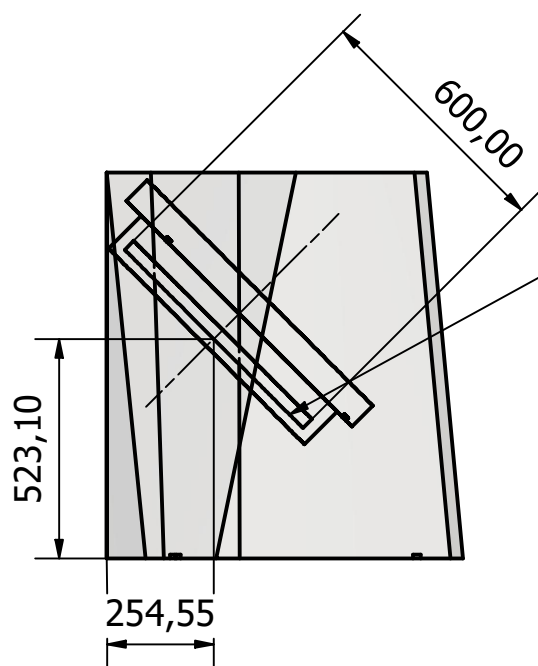


HOLE TABLE		
HOLE	XDIM	YDIM
A1	-147,72	-107,92
A2	-1208,88	367,45
A3	-462,21	662,45





832,28

1011,57



FM3 Mirror body

Project 		Institute 		Drawing number E-MAO-PFI-ICD-DWG-001_02		Revision 01	
Designed Edoardo Redaelli		Date 11/03/2026		Description FM3 Structure interface drawing			
Checked		Date		Material Generic		Mass N/A	
Approved		Date		All dimensions in mm		Scale 1/1	
						Sheet 1/1	
						Size A3	