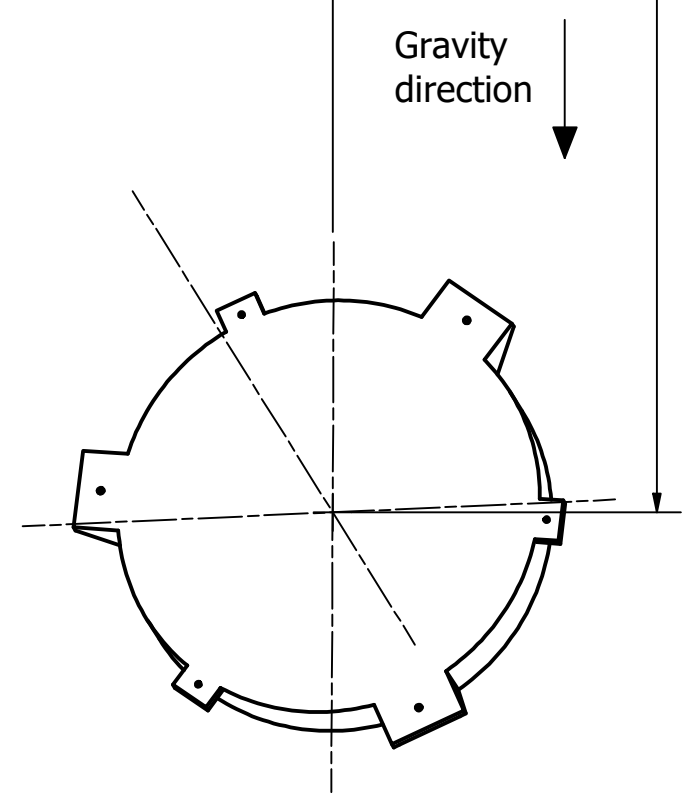




HOLE TABLE		
HOLE	XDIM	YDIM
A1	-333,39	444,10
A2	551,30	66,68
A3	-217,91	-510,78
B1	210,97	486,21
B2	315,58	-425,81
B3	-526,56	-60,40

On the surface A there will be at least 3 SMRs up to 5 fully characterized with respect the optical element.
 The set A of holes are referred to the position of the interface holes for the optomechanics
 The set B holes refer to the AIV tool attachment points



Project 		Institute 		Drawing number E-MAO-PFD-ICD-DWG-001		Revision 01	
Designed Edoardo Redaelli		Date 24/02/2026		Description DCM interface drawing			
Checked		Date		Material		Mass N/A	
Approved		Date		All dimensions in mm		Scale 1/1	
						Sheet 1/1	
						Size A3	