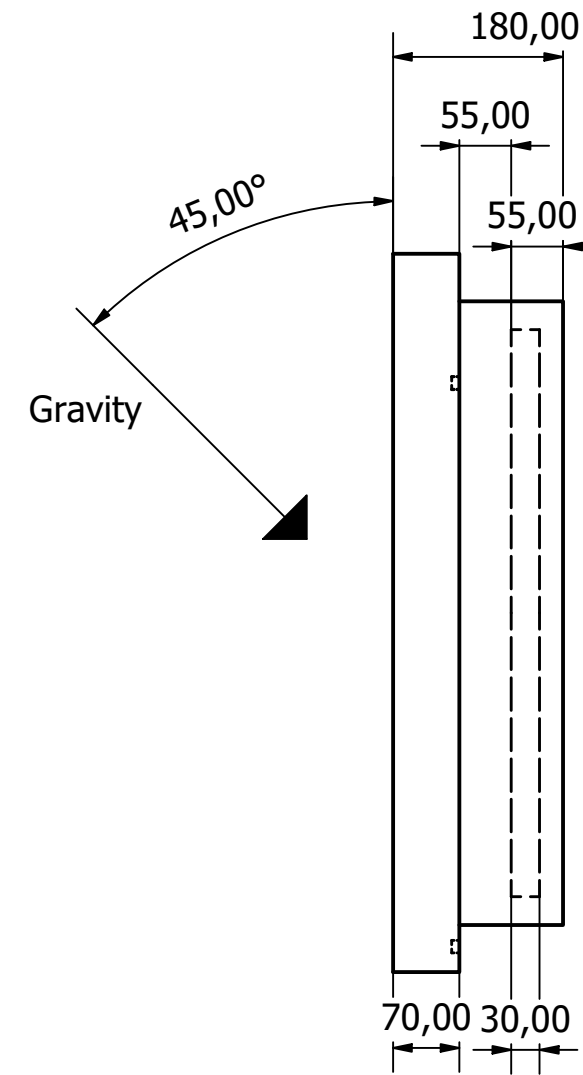
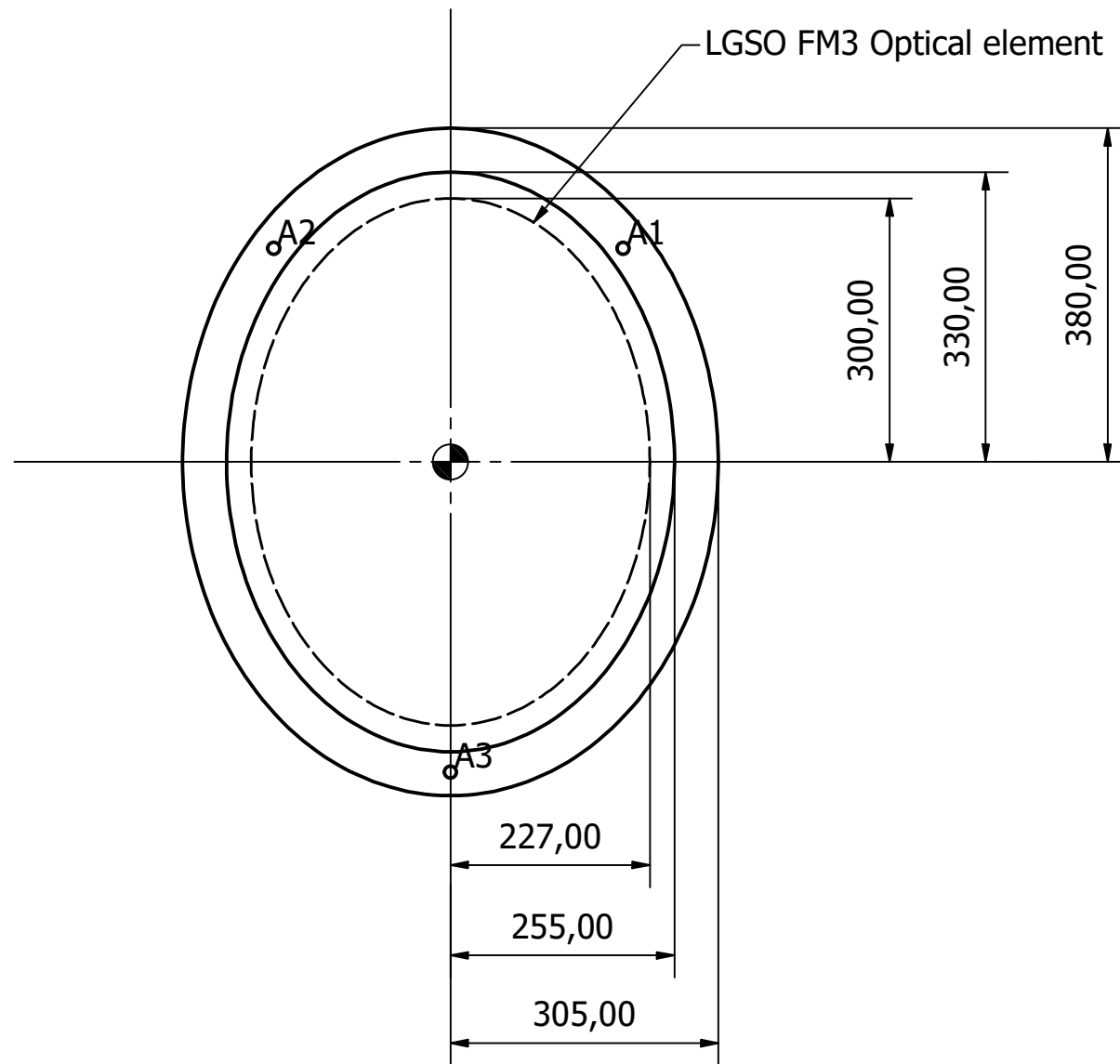




HOLE TABLE		
HOLE	XDIM	YDIM
A1	196,53	243,49
A2	-201,51	243,34
A3	0,00	-353,00



On the surface A there will be at least 3 SMRs up to 5 fully characterized with respect the optical element, as described in the E-MAO-PFI-INA-SPE-003
 The set A of holes are referred to the position of the interface holes for the optomechanics
 on the back of the optomechanics 3 connction points for the handling tool should be agreed with the MORFEO consortium

Project 		Institute 		Drawing number E-MAO-PFI-ICD-DWG-001		Revision 3	
Designed Edoardo Redaelli		Date 21/11/2024		Description LGSO FM3 design volume			
Checked		Date		Material		Mass N/A	Quantity 1
Approved		Date		All dimensions in mm		Scale 1/1	Sheet 1/1
						Size A3	