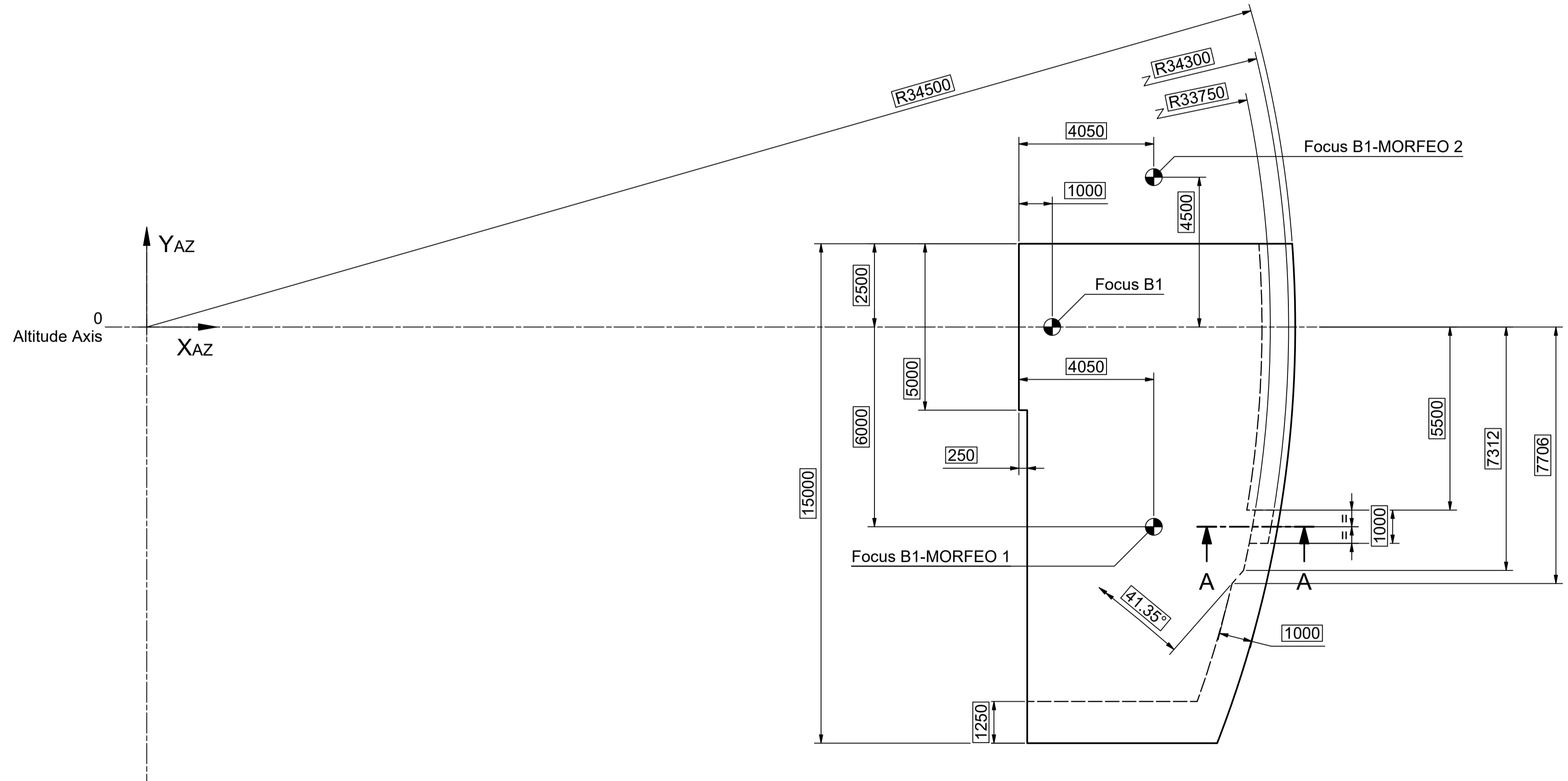
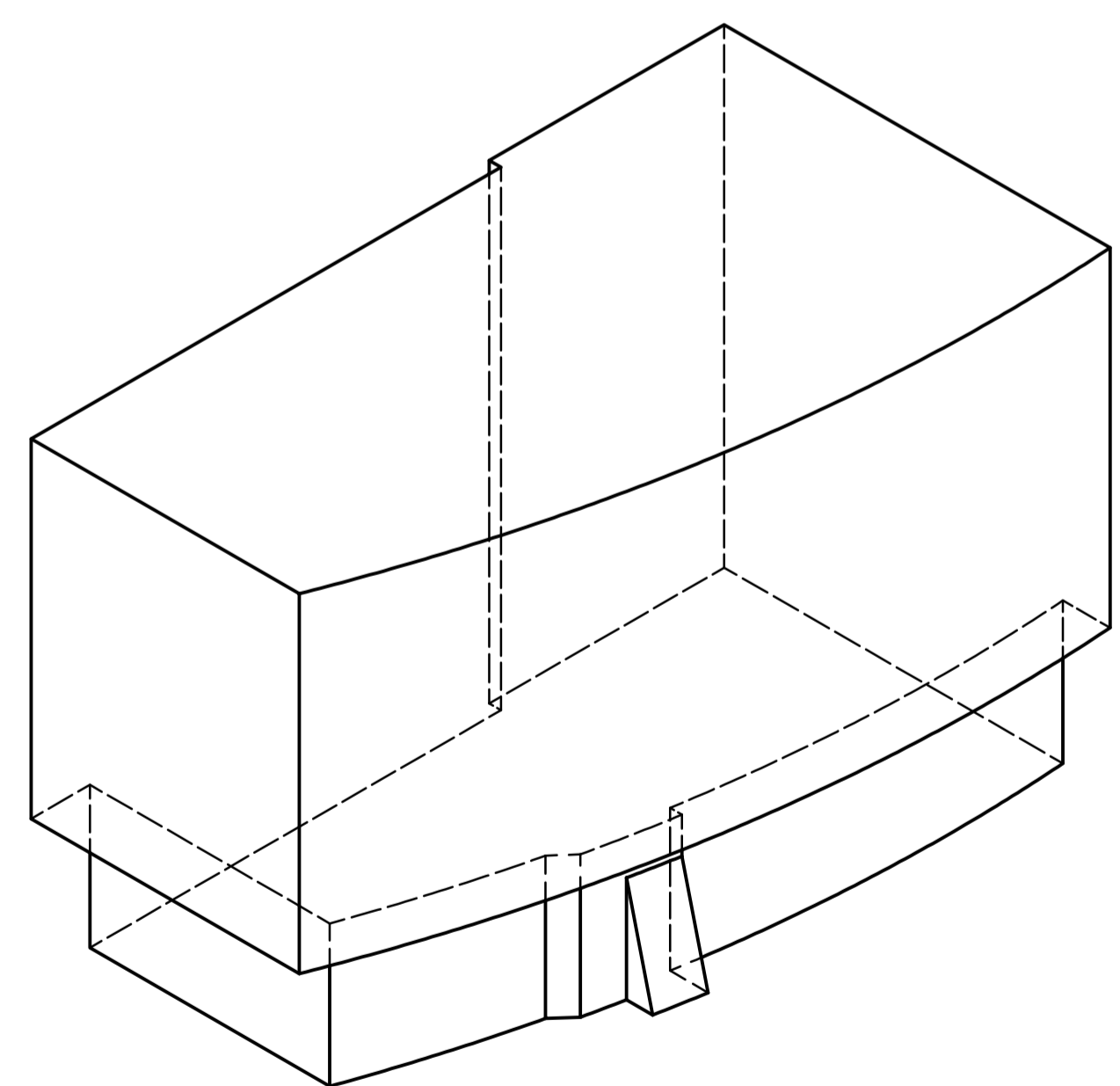
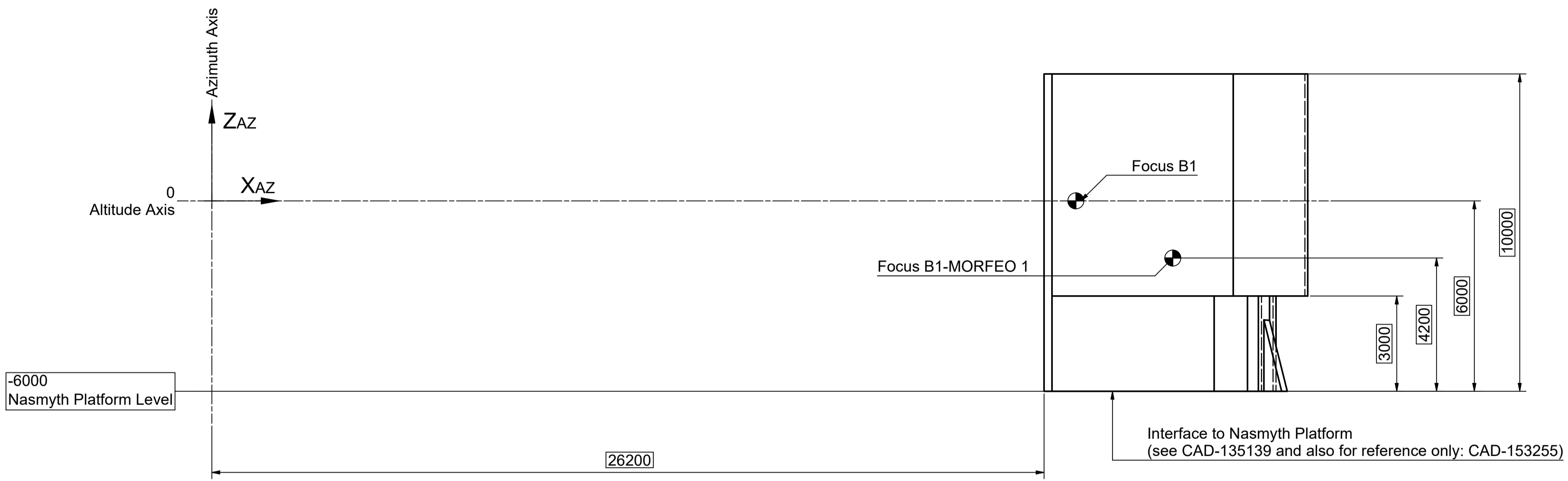
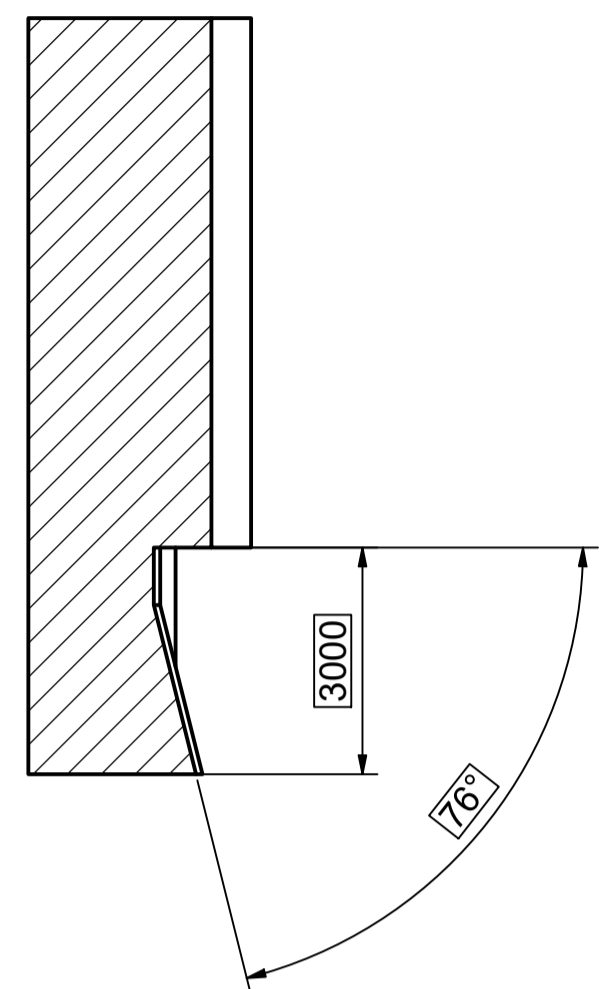


Zone	Revision	Description
	1	See CRE ET-1293 and ET-1294
	2	See CRE ET-1337 & ET-1353

A-A (1 : 100)



Nasmyth B

Refer to the following reference document:

- ESO-193058, Standard coordinate systems and basic conventions
- For Location and access please refer to DE-CAD-214778
- CAD-153255 may be used as a reference for discussion with ESO on additional attachment flanges

General Tolerances: N/A		Material: N/A	Mass: N/A
DO NOT SCALE! Drawing prepared to ISO 15:2005-2009 All dimensions in mm unless otherwise stated		Surface Treatment: Not Applicable	
Designed By cfrank	Title / Additional Information: MORFEO & MICADO DV on MS-NPB		
Drawn By hbedigan	Product Item: Nasmyth B Instrument		
Released By cschmid	Product Item No.: E-ELT 550	Product Item: Instruments	Scale: 1 : 100 Sheet: 1 / 1
www.eso.org © According to ISO 15016	Date: RELEASED	Document ID: 2024-06-11	Revision: DE-CAD-202415 2