

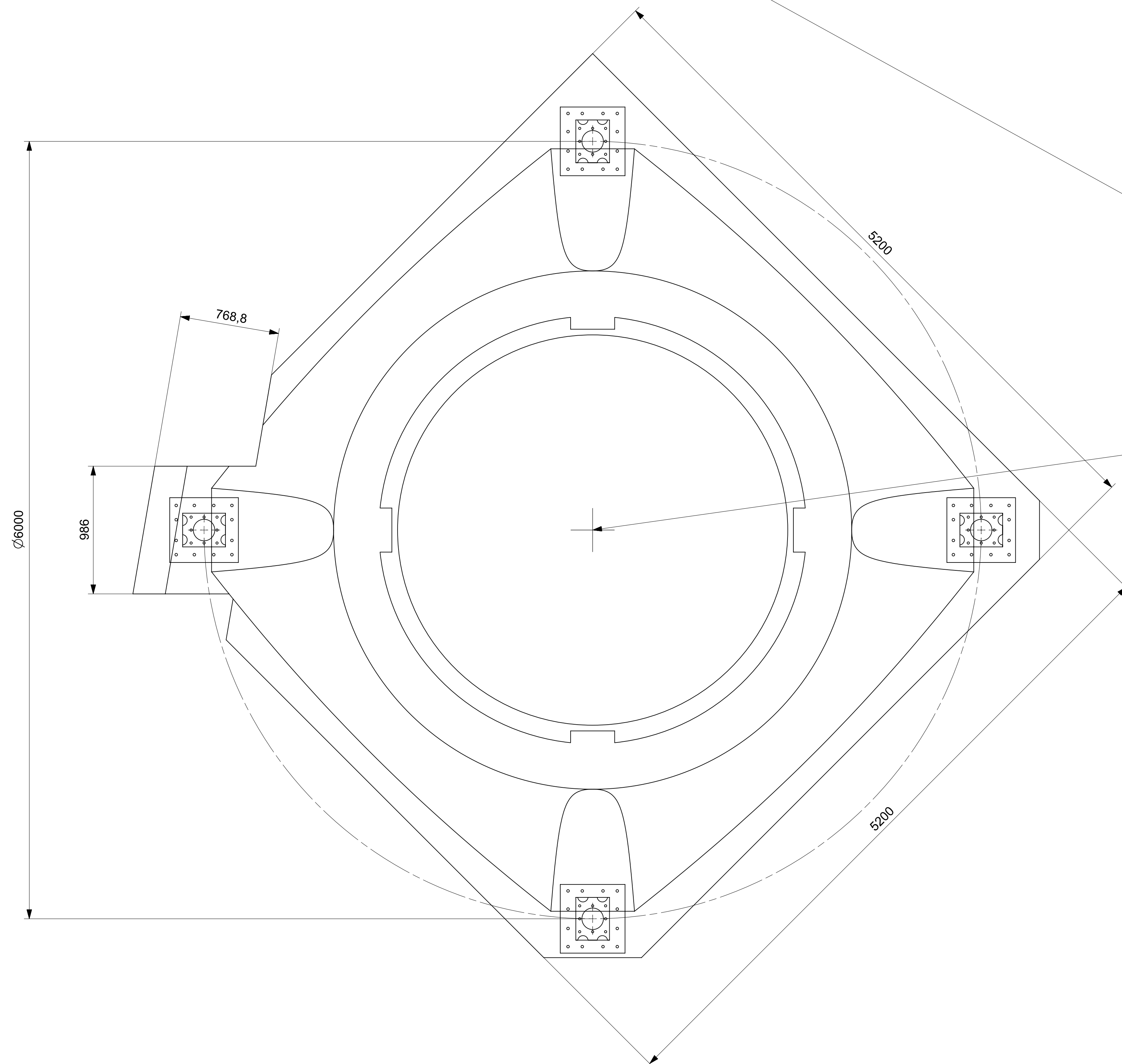
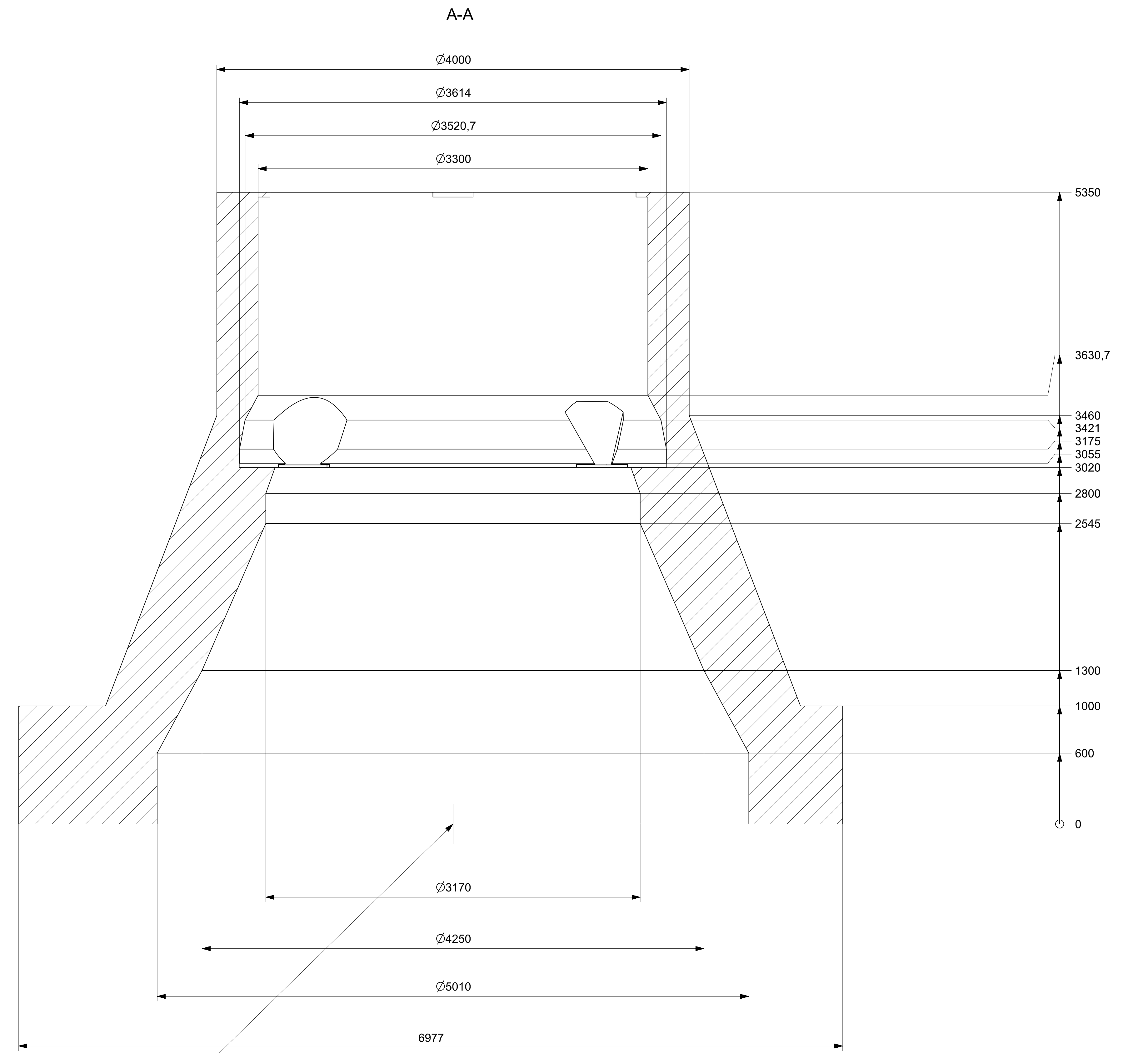
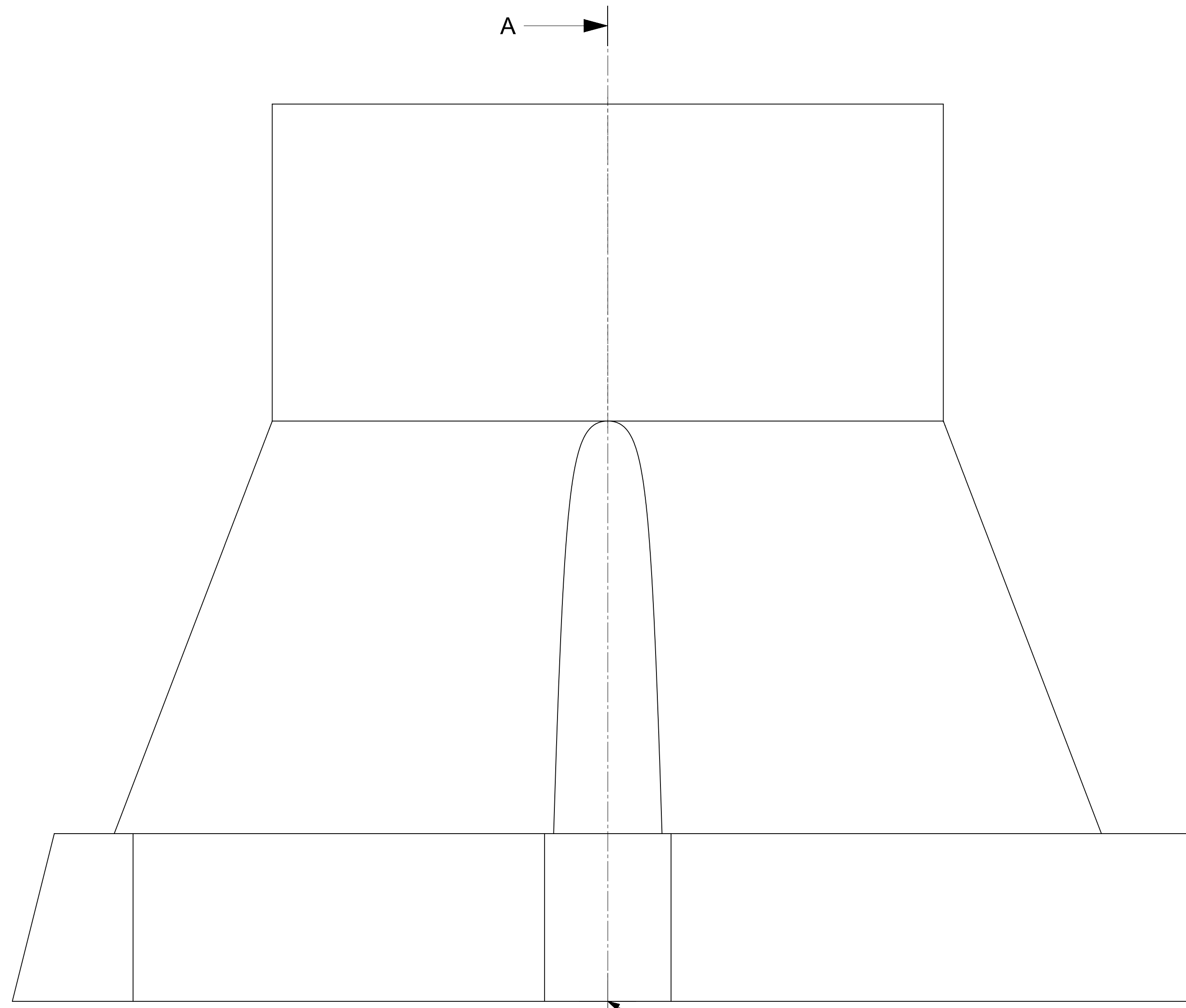
Drawing Cover Page Information

Drawing number:	ELT-DWG-MCD-56303-ST0000 E023957/002-ENV
ESO Conforming Number	ELT-DWG-MCD-56303-ST00000- ENV-E023957
Version number:	002
Drawing Title:	ST0 Design Volume MM Mode
Type:	Drawing (DWG)
Drawing sub-category:	Interface & Design Volume
Drawn/Created/Designed by:	J. Witschel
Checked/Approved/Released by:	H. Anwand-Heerwart
Approved/Released on: [Date format: YYYY-MM-DD]	2025-07-02
Document Status: (please mention if released or draft)	Released
Issuing/Releasing Organisation:	IAG Institut für Astrophysik Göttingen

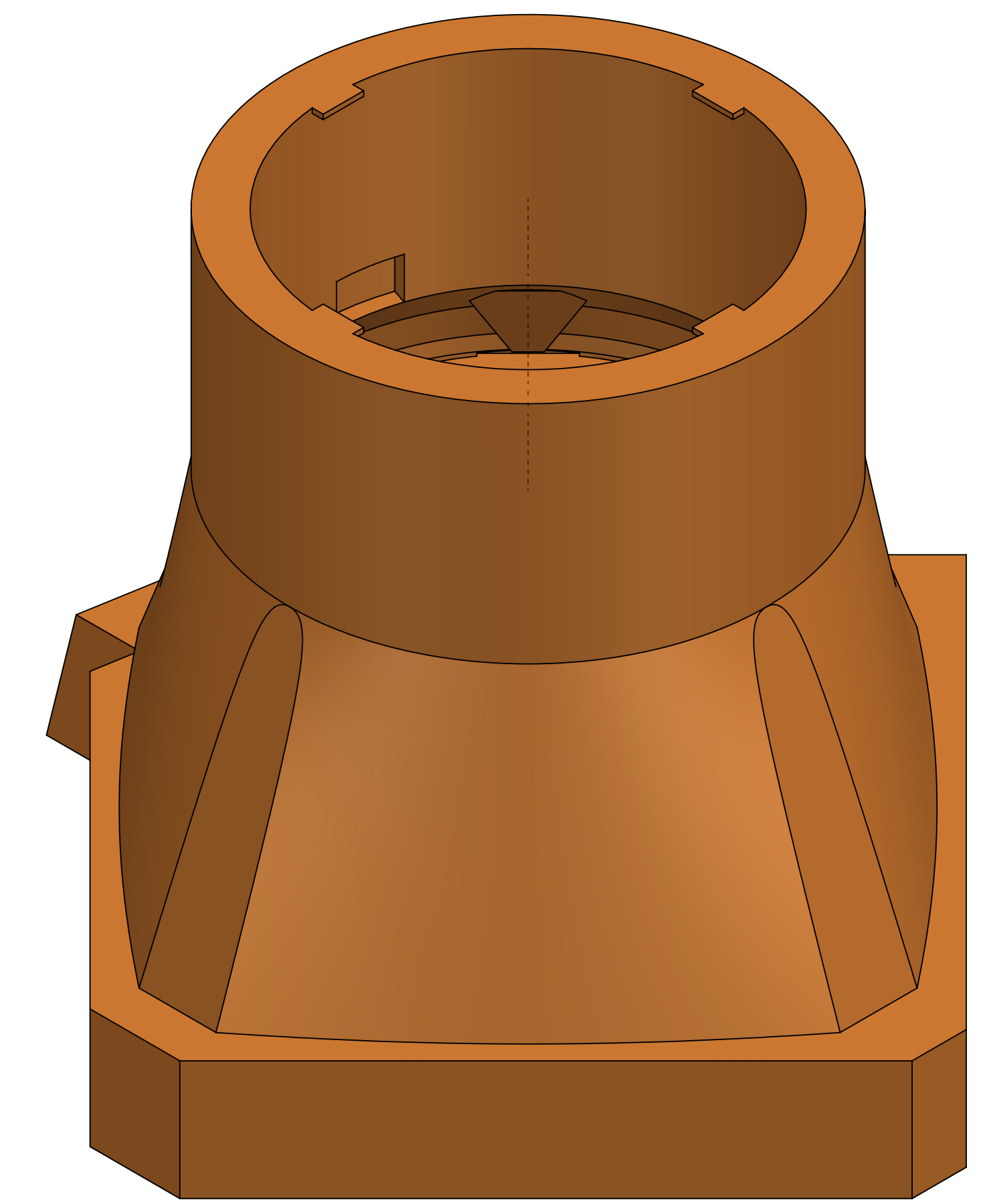
PBS Allocation

(to which PBS folder the drawing needs to be uploaded)

PBS Folder Name:	ST0.0.0.0.0
-------------------------	--------------------



Position in global Coordinates
 $X_{A^2} = 30250$
 $Y_{A^2} = 6000$
 $Z_{A^2} = -6000$
 wrt Telescope Coordinates



Release Status: Approved

Quantity:

Remarks:

		Georg-August-Universität Institut für Astrophysik GÖTTINGEN		Dimension in Millimeters Unit: mm		Material: Treatment:	
Surface DIN EN ISO 1502	Scale: 1:20	Date:	Name:	Title:			
001 test material	15-Jun-2023	08-Nov-2022	witschel11	ST0 Design Volume MM Mode			
002 test material	15-Apr-2024	08-Nov-2022	witschel11	Desc.: ST 0.0.0.0 Design Space for entire ST0 subsystem in MM			
State	Changes	Date	Name	Scientist	Part number	configuration	
Project	MICADO		E023957 / 002		1/1		
Mass	kg		Customer ID: ELI-GW-ACC-06303-01000 E023957 / 002-ENV		1		