

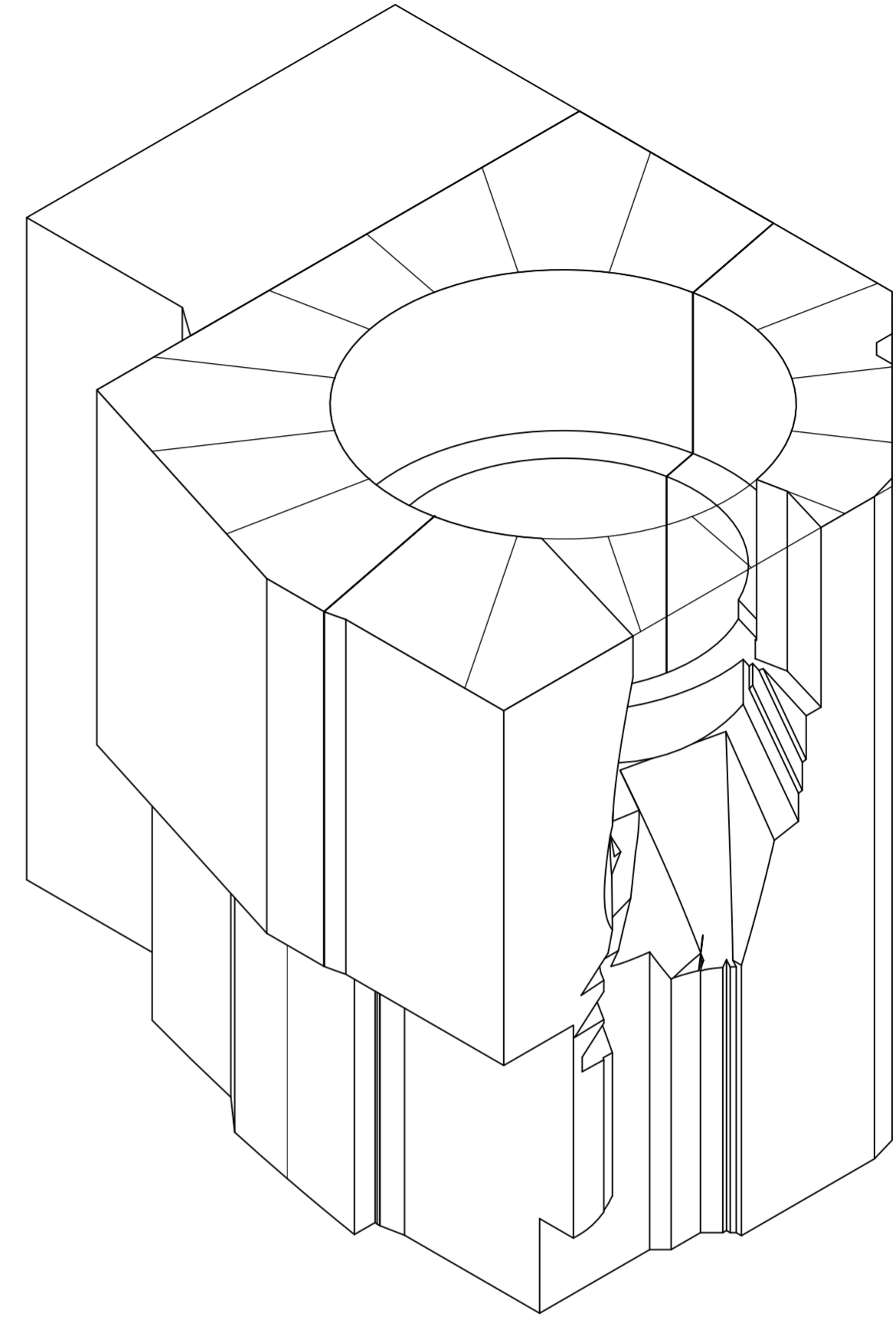
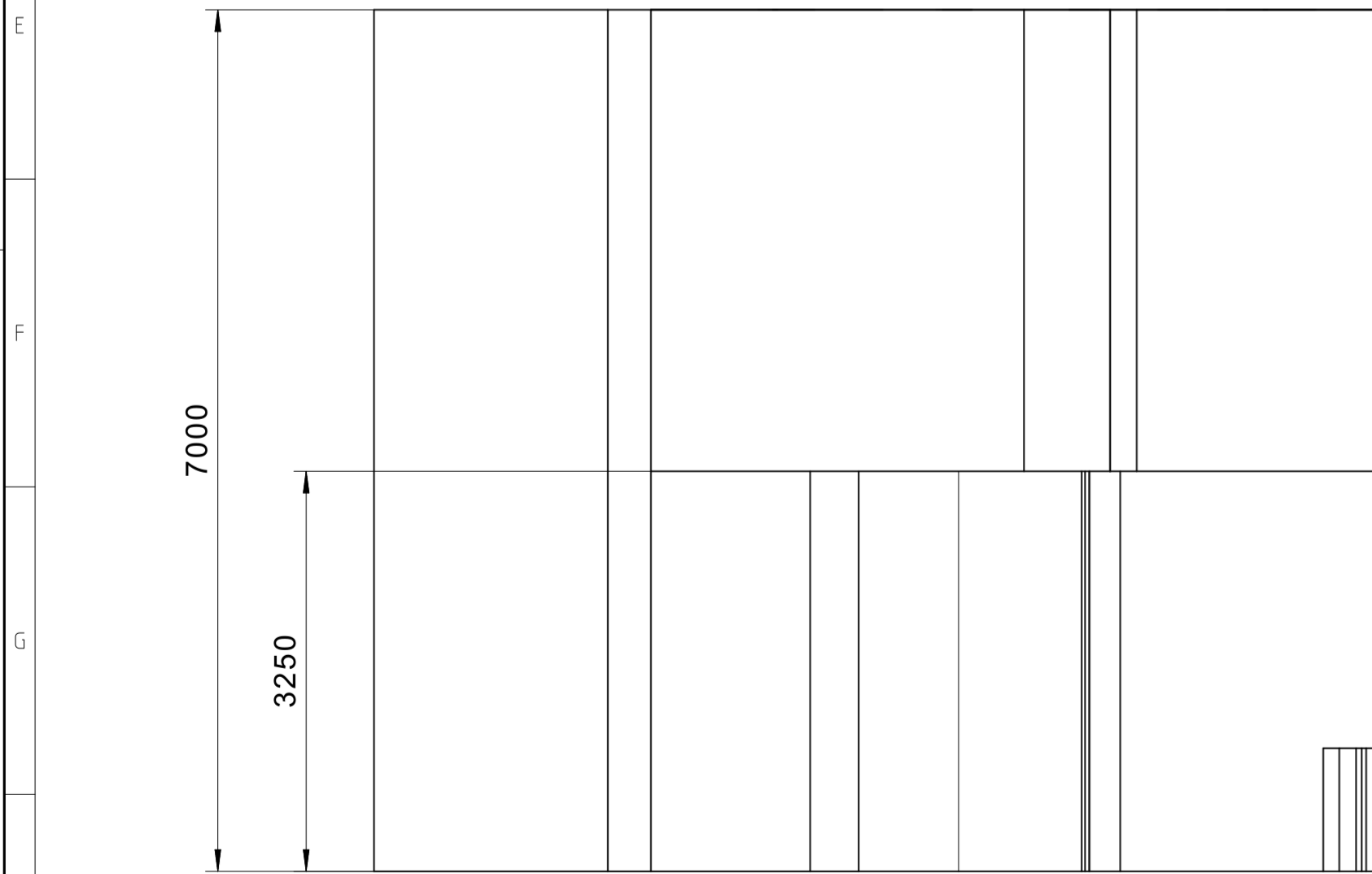
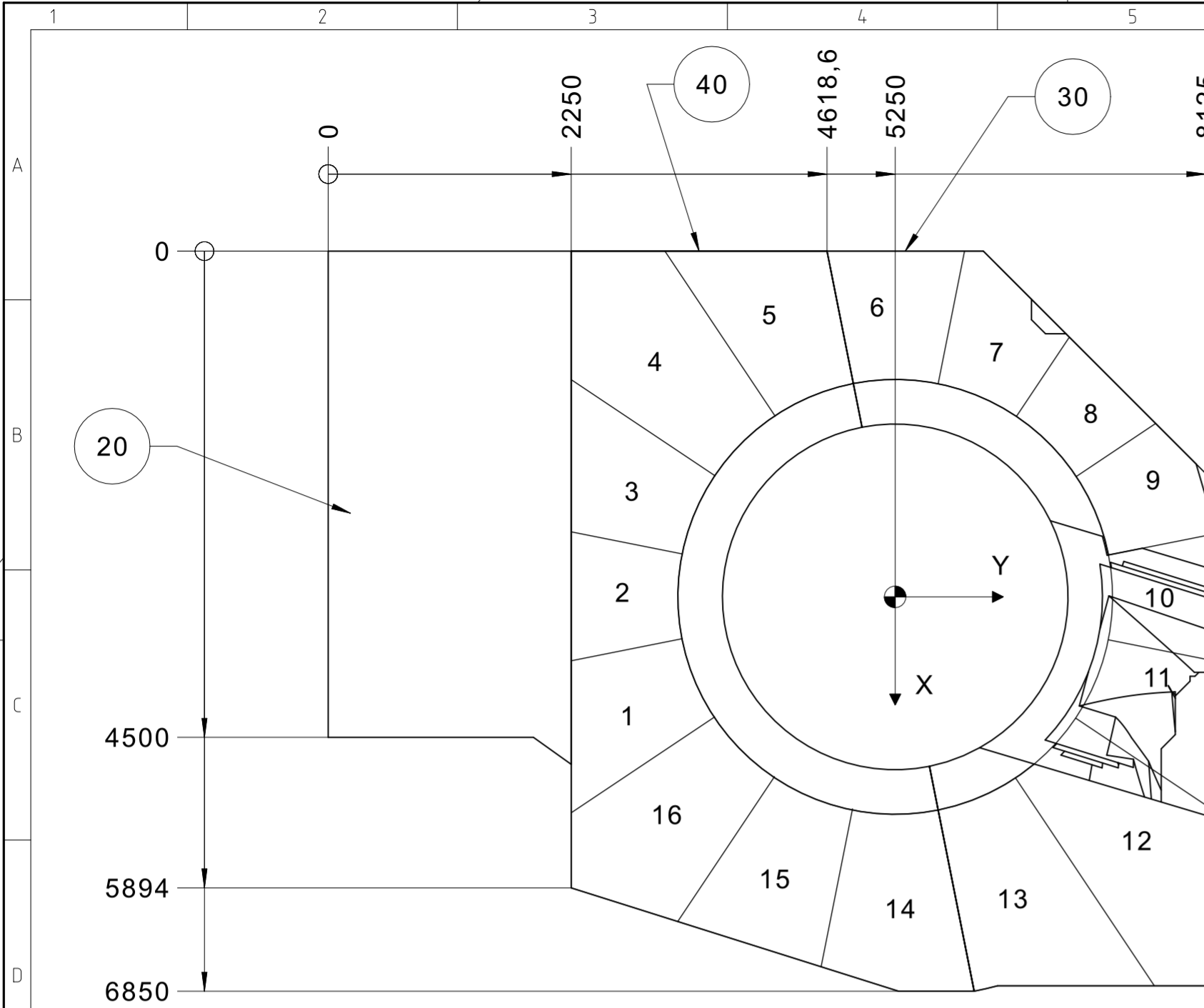
Drawing Cover Page Information

Drawing number:	ELT-DWG-MCD-56300-M62200-E00061029/003
ESO Conforming Number	ELT-DWG-MCD-56300-M62200-ENV-E00061029
Version number:	003
Drawing Title:	AST_M&M_assembly
Type:	Drawing (DWG)
Drawing sub-category:	Interface & Design Volume
Drawn/Created/Designed by:	A. Emslander
Checked/Approved/Released by:	A. Emslander
Approved/Released on: [Date format: YYYY-MM-DD]	16.04.2024
Document Status: (please mention if released or draft)	Released
Issuing/Releasing Organisation:	MPE MPIE Max-Planck-Institut für Extraterrestrische Physik

PBS Allocation


(to which PBS folder the drawing needs to be uploaded)

PBS Folder Name:	M6.2.2.0.0
-------------------------	-------------------



-See STP file for more information

20	1	AST_Design_Volume_stairs_SA & M&M	E00047516 / 001	-	---
30	1	MP Design Volume - temp_M&M	E00047270 / 001	-	---
40	1	MP Design Volume - permanent_M&M	E00047269 / 000	-	---
Pos.	QTY	Description	Drawing-No. / Norm	MASS	Material

Use Range: MICADO AST		Tolerance:	Surface:	Scale: 1/50	Mass: 0,000
				Material	---
--	--	--	--	☑ Date	Name
--	--	--	--	Drawn	21.04.23 aemsl
--	--	--	--	Appr./Rls	21.04.23 aemsl
--	--	--	--	Modif.	
003	--	16.04.24	aemsl		
002	--	16.04.24	aemsl		
001	--	04.04.24	aemsl		
000	--	04.04.24	aemsl		
Issue	Change	Date	Name		
				 Max-Planck-Institut für Extraterrestrische Physik	
				Drawing-Number ELT-DWG-MCD-56300-M62200 E00061029 / 003	
				Sheet: 1 of 1	