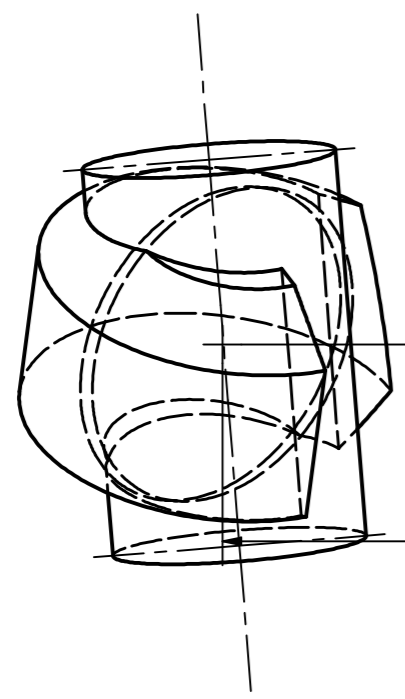


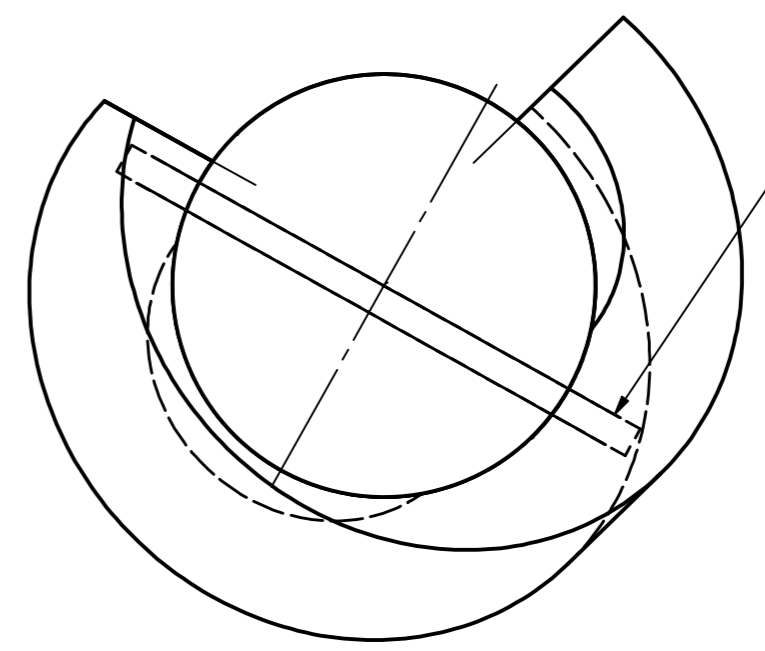
				Drawing number <b>E-MAO-PFE-ICD-DWG-001</b>		Revision <b>03</b>	
Designed <b>Edoardo Redaelli</b>	Date <b>02/10/2024</b>	Description <b>M11 Volume</b>		Mass <b>1181.2 kg</b>	Quantity <b>1</b>		
Checked	Date	Material		All dimensions in mm		Scale <b>1/3</b>	Sheet <b>1/3</b>
Approved	Date					Size <b>A2</b>	



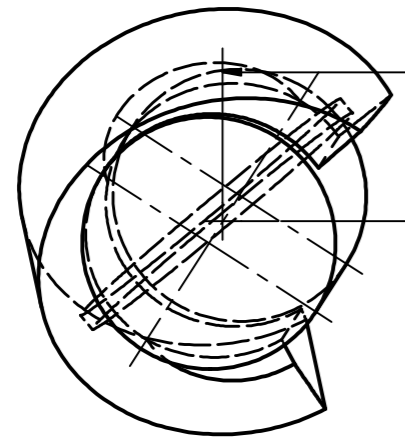
4429,43

1682,82

C ( 1 : 15 )



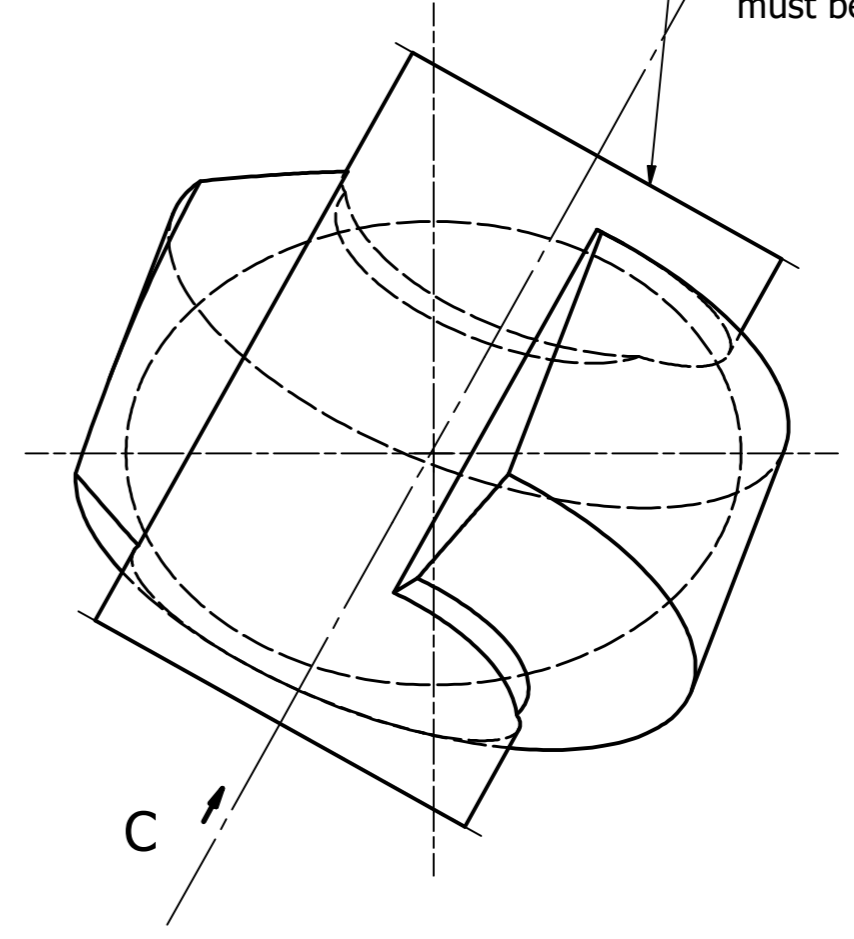
M11M when the second instrument is fed





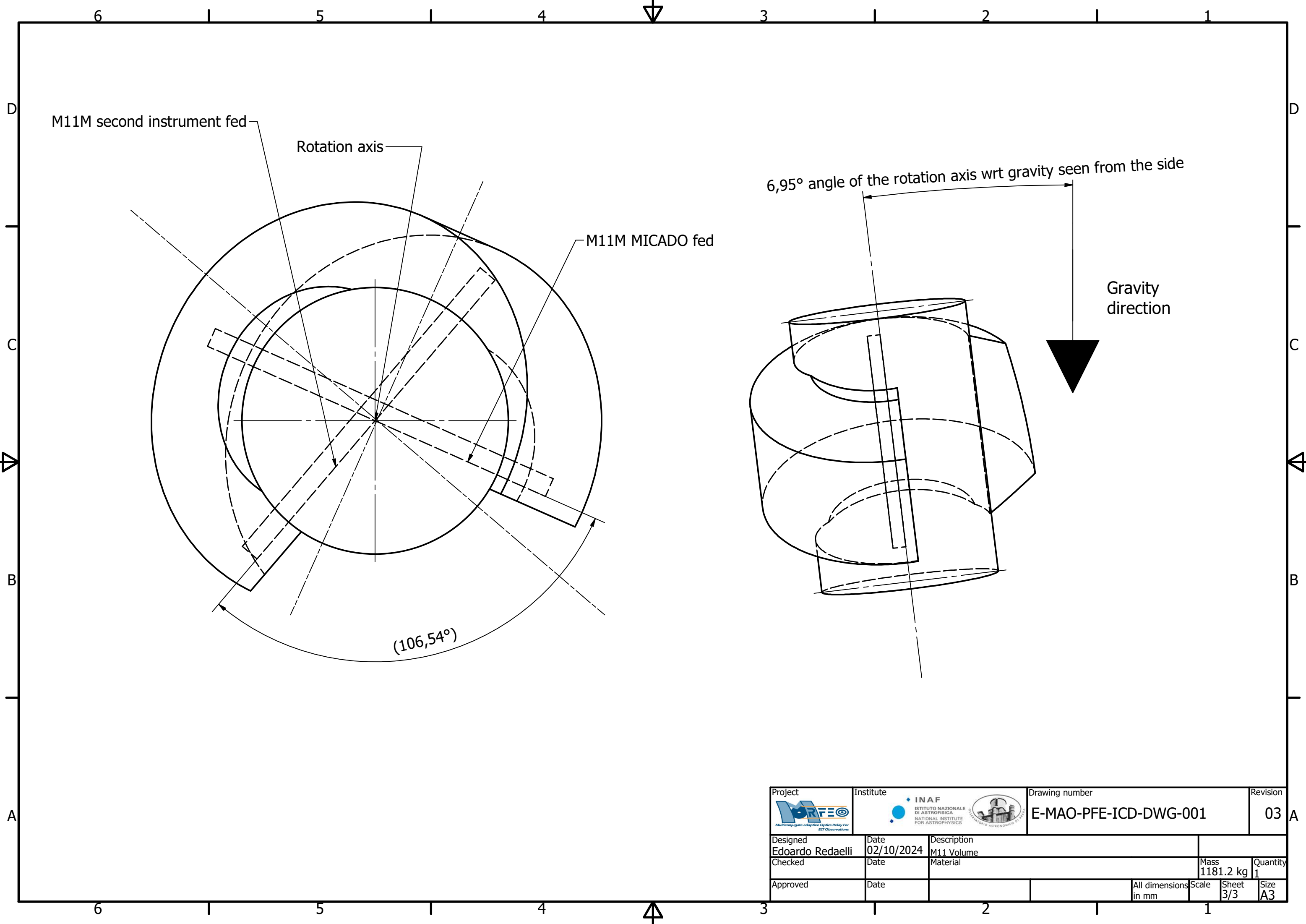
4429,43



1481,64

the A and B faces are the interfaces with the MORFEO main structure. How this planes are connected with the MORFEO structure must be defined in with the MORFEO consortium



Project 	Institute 	Drawing number E-MAO-PFE-ICD-DWG-001	Revision 03
Designed Edoardo Redaelli	Date 02/10/2024	Description M11 Volume	Mass 1181.2 kg
Checked	Date	Material	Quantity 1
Approved	Date		All dimensions in mm
		Scale 2/3	Sheet 2/3
			Size A2



Project  Multiconjugate Adaptive Optics Relay For ELT Observations		Institute  ISTITUTO NAZIONALE DI ASTRONOMIA NATIONAL INSTITUTE FOR ASTROPHYSICS		Drawing number E-MAO-PFE-ICD-DWG-001		Revision 03			
Designed Edoardo Redaelli		Date 02/10/2024		Description M11 Volume					
Checked		Date		Material			Mass 1181.2 kg	Quantity 1	
Approved		Date				All dimensions in mm	Scale 1	Sheet 3/3	Size A3